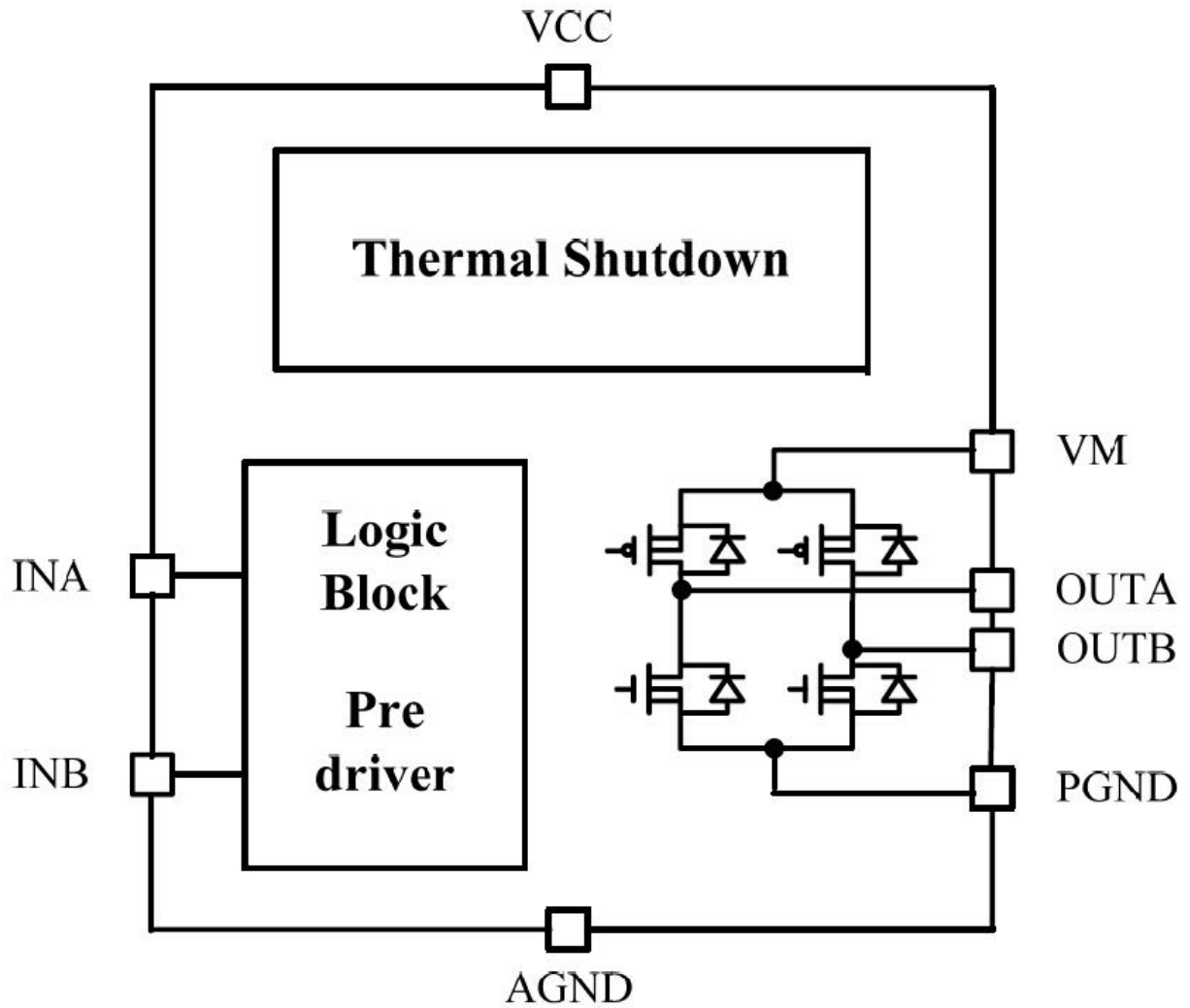


功能模块示意图



电路工作极限 at Ta = 25°C

Parameter	Symbol	Conditions	Ratings	Unit
Logic Supply Voltage	VCC		5.5	V
Load Supply Voltage	VM		6.8	V
Logic Input voltage	V _{IN}		VCC	V
Output Current	I _{OUT}		±1.2	A
Peak Out Current	I _{op}		3	A
Operating Ambient Temperature	T _A	Range S	-20 to 85	°C
Maximum Junction	T _{J(max)}		150	°C
Storage Temperature	T _{stg}		-55 to 150	°C

推荐工作条件 at Ta = 25°C

		Min	NOM	Max	Unit
Logic Supply Voltage Range	VCC	1.8	-	5	V
Load Supply Voltage Range	VM	1.8	-	6	V
Logic Input Voltage Range	VIN	0	-	VCC	V
Continuous RMS or DC output current per bridge	IOUT	-1200		+1200	mA

电特性 at $T_a = 25^{\circ}\text{C}$, $V_{CC} = 3\text{V}$, $V_M = 3\text{V}$, $R_L = 15\ \Omega$, unless otherwise noted.

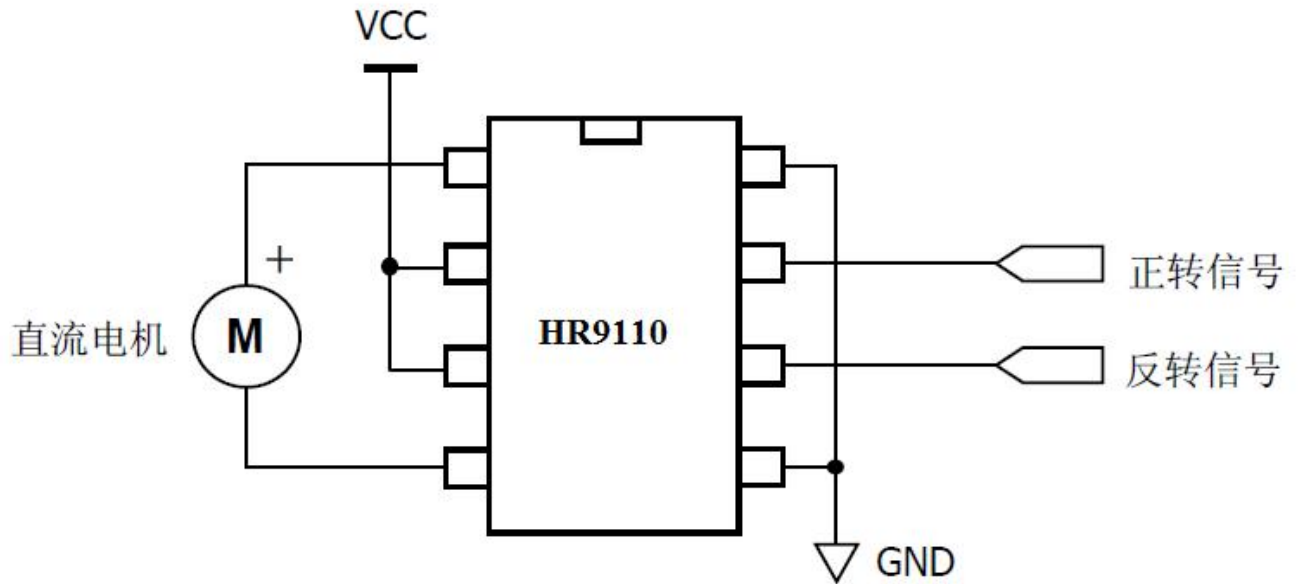
PARAMETER		TEST CONDITIONS	MIN	TYP	MAX	UNIT
POWER SUPPLY						
ICCST	Circuit current at standby	INA=INB = L		0	10	uA
IVMST	VM current at standby	INA=INB = L		0	10	uA
ICC	Circuit current	INA=L ,INB = H or		0.3	1	mA
		INA=H ,INB = L or				
		INA=H ,INB = H				
IVM	VM current	INA=L ,INB = H or		0.1	1	mA
		INA=H ,INB = L or				
		INA=H ,INB = H				
LOGIC-LEVEL INPUTS						
VINL	Input low voltage				0.3VCC	V
VINH	Input High voltage		0.7VCC			V
RPD	Input pull-down resistance			1.5		M Ω
IINL	Input low current	VIN = 0V	-1	0		uA
IINH	Input high current	VIN = 3V		5	20	uA
H-BRIDGE FETS						
RDS(ON)	Output on resistance	IO= \pm 200 mA		0.3	0.6	Ω
PROTECTION CIRCUITS						
tTSD	Thermal shutdown temperature	Die temperature		150		$^{\circ}\text{C}$

电路应用参考

过温关断 (TSD)

当结温达到 150°C，HR9110 关断所有的输出，这是为了防止因为过高的温度而烧毁芯片。TSD 含有 25°C 的迟滞。

典型应用



注：1.请做好电源滤波。

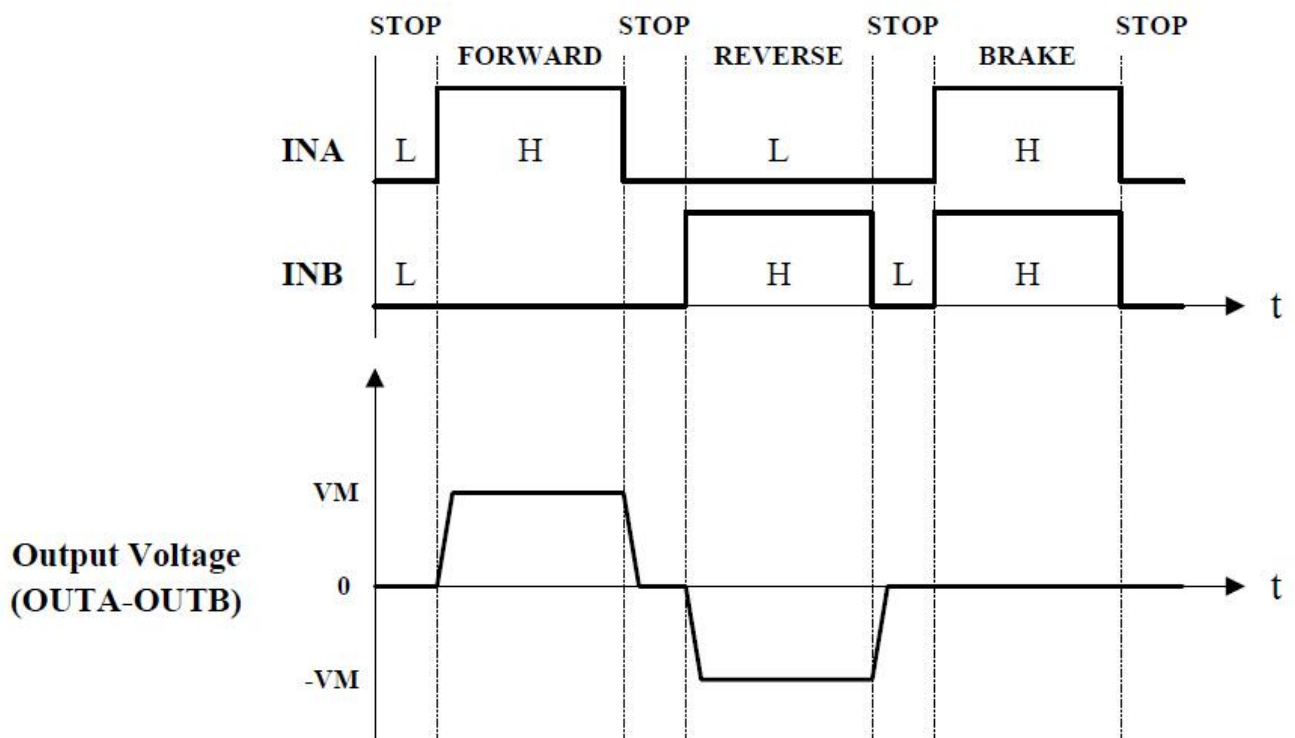
2.若接近极限工作电压工作，请在电机上加 100nF 电容做保护，防止芯片因电机启动、换向时产生的高压导致损坏。

3.注意电机电流路径 PCB 布线。大电流路径为 VM、OA、OB、PGND，管脚分别为 2、1、4、5。

输入输出逻辑表

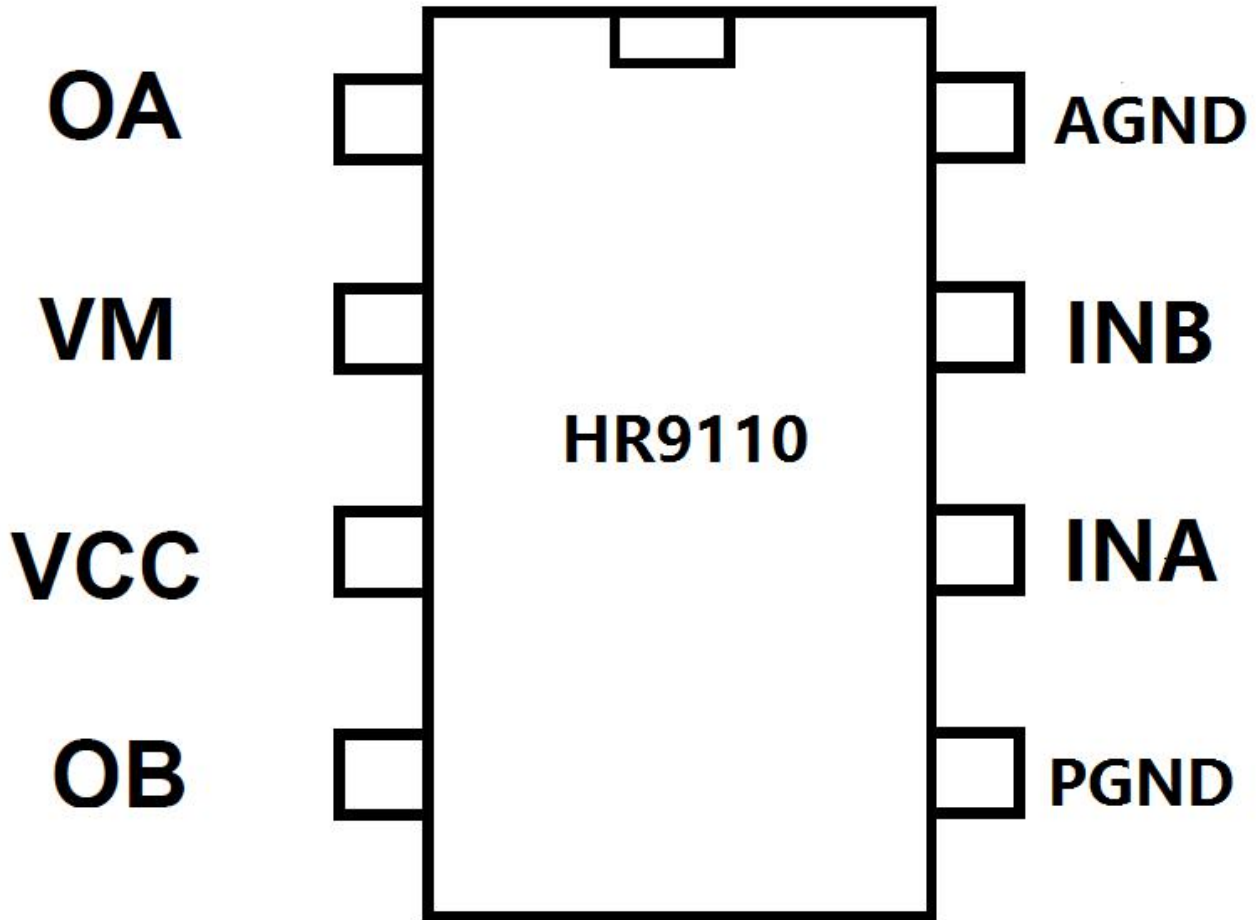
INPUT		OUTPUT		MODE
INA	INB	OUTA	OUTB	
L	L	Hi-Z	Hi-Z	Standby (STOP)
H	L	H	L	Forward
L	H	L	H	Reverse
H	H	L	L	Brake

输入输出波形



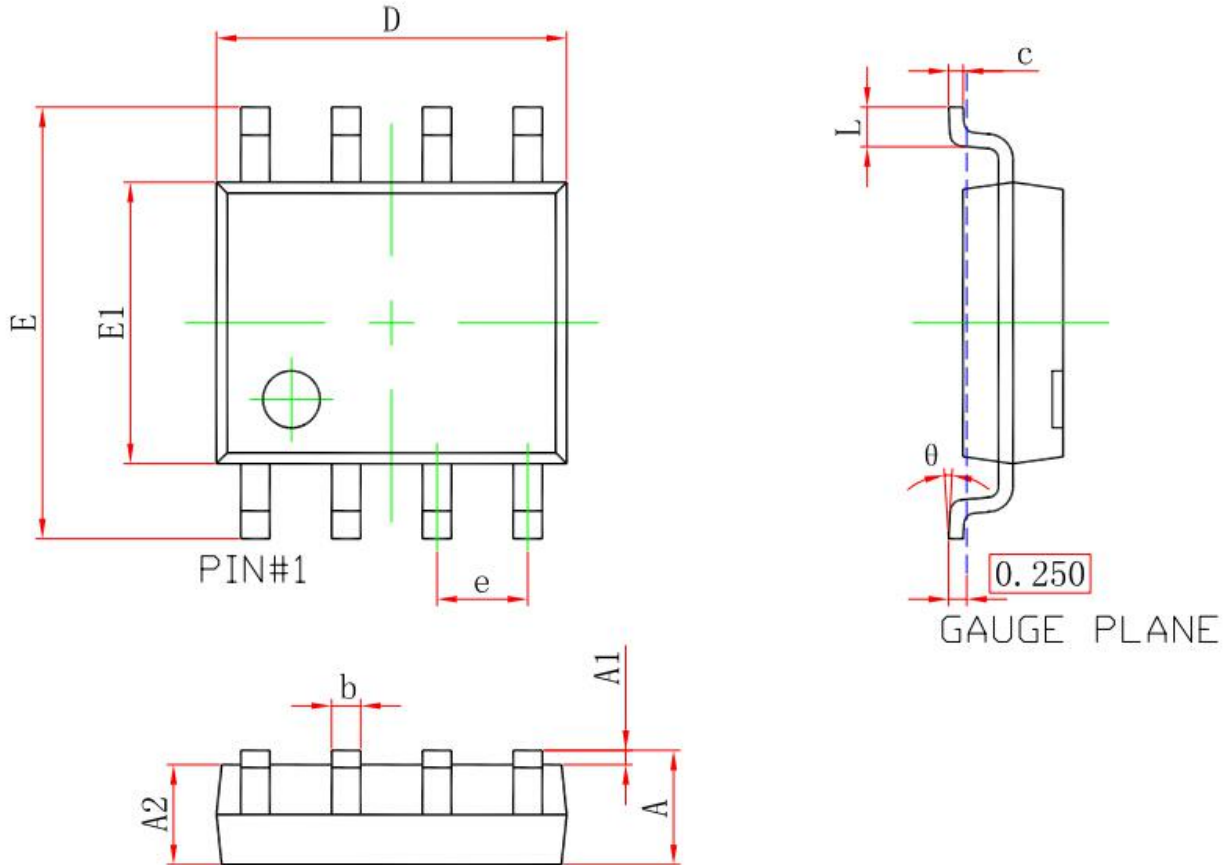
管脚图

TOP VIEW



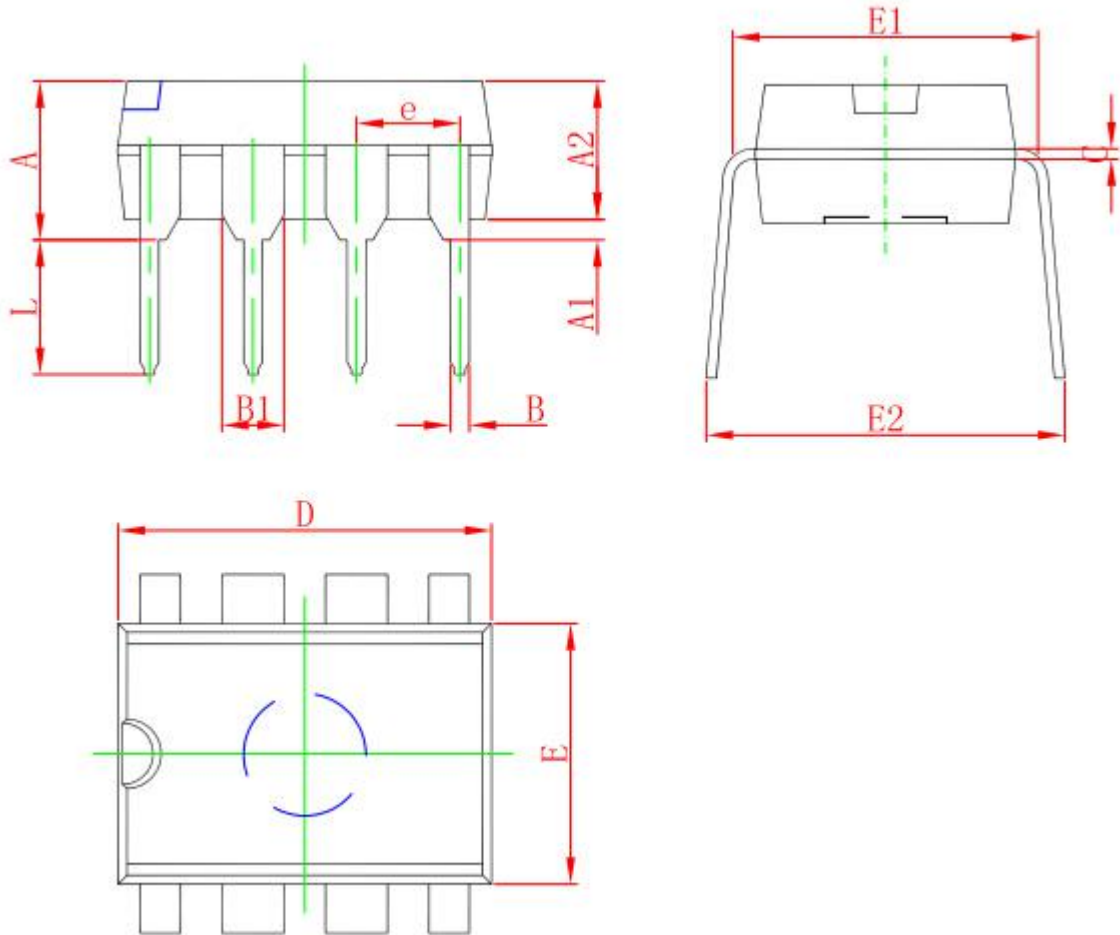
管脚列表

NAME	PIN	IO	Pin Description
OA	1	O	H-bridge output terminal A of the driver
VM	2	P	Power supply for driver
VCC	3	P	Power supply for logic
OB	4	O	H-bridge output terminal B of the driver
PGND	7	G	GND for driver
INA	6	I	It combines INB to decide the state of the driver
INB	7	I	It combines INA to decide the state of the driver
AGND	8	G	GND for logic

封装信息
 SOP 8


Symbol	Dimensions In Millimeters		Dimensions In Inches	
	Min	Max	Min	Max
A	1.350	1.750	0.053	0.069
A1	0.100	0.250	0.004	0.010
A2	1.350	1.550	0.053	0.061
b	0.330	0.510	0.013	0.020
c	0.170	0.250	0.007	0.010
D	4.800	5.000	0.189	0.197
e	1.270 (BSC)		0.050 (BSC)	
E	5.800	6.200	0.228	0.244
E1	3.800	4.000	0.150	0.157
L	0.400	1.270	0.016	0.031
θ	0°	8°	0°	8°

DIP 8



Symbol	Dimensions In Millimeters		Dimensions In Inches	
	Min	Max	Min	Max
A	3.710	4.310	0.146	0.170
A1	0.510		0.020	
A2	3.200	3.600	0.126	0.142
B	0.380	0.570	0.015	0.022
B1	1.524 (BSC)		0.060 (BSC)	
C	0.204	0.360	0.008	0.014
D	9.000	9.400	0.354	0.370
E	6.200	6.600	0.244	0.260
E1	7.320	7.920	0.288	0.312
e	2.540 (BSC)		0.100 (BSC)	
L	3.000	3.600	0.118	0.142
E2	8.400	9.000	0.331	0.354

